

888 BC Nozzle

Angus Hi-Combat Style 888 BC Self Inducing Monitor Nozzle
P/No. M258074

- Water jet or spray/fog pattern
- Flow options 1325-1900-2900 lpm @ 7bar
- Self Inducing model
- Ideal for Industrial, offshore and other marine applications
- Suitable for use with fresh and sea water
- Use with both class A & B foam concentrates



The Angus Hi-Combat range of Monitor Nozzles have been designed for a wide range of applications that require a water jet or spray pattern. Whether for extinguishing fires, cooling tanks or other structures, these monitor nozzles will provide reliable and effective protection.

The 888 BC nozzle will deliver non aspirated foam spray when used with film forming foams such as Angus Petroseal (FFFP) Tridol (AFFF & AR-AFFF) or Alcoseal (AR-FFFP). The foam supply can either be premixed remotely or induced using the self-inducing facility on the nozzle

This nozzle is intended for use with the Angus range of monitors, including the MM1 manual lever operated, OM80 automatic oscillating, HM80 hand monitor and the GMB48 monitor.

Features include:

- Brass Construction for maximum corrosion resistance
- Flow settings of 1325-1900-2900 lpm (select at time of ordering)
- In built stream shaper for maximum reach in straight stream mode
- fitted with turn control bar to change Pattern from straight stream to spray or fog in a single movement
- Interchangeable foam orifice plates enable variable foam proportioning. 0.5%, 1%, 3% or 6% option.
- Standard foam pick up hose is 8 foot long and comes complete with a stainless steel dip tube.

Options:

- Foam shut off valve at Nozzle
- Foam drum pick up kit comes with 1m rigid PVC dip tube with integrated shut off and 9 foot pick up hose

Nozzle Inlet:

Inlet 2½" BSP Female swivel (Optional NH/NST)

Nozzle Weight:

9.8Kg

Nozzle Length:

145mm

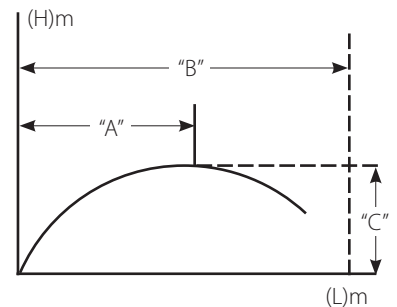
Foam Inlet:

Quick release connection (1½" diameter hose)

Pressure vs Throw - Foam Discharge

Flow (lpm)	Pattern	Pressure (bar)	Horizontal Reach "A" (m)	Overall "B" (m)	Vertical "C" (m)
1325 (350 USGPM)	Straight Stream	7	25	41	9
	Narrow Fog 30°		10	15	
	Wide Fog 60°		7	12	
1900 (500 USGPM)	Straight Stream	7	30	48	10.5
	Narrow Fog 30°		16	25	
	Wide Fog 60°		12	20	
2900 (750 USGPM)	Straight Stream	7	41	65	12
	Narrow Fog 30°		28	42	
	Wide Fog 60°		15.5	25	

Stream Reach



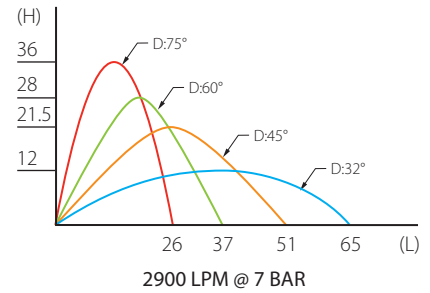
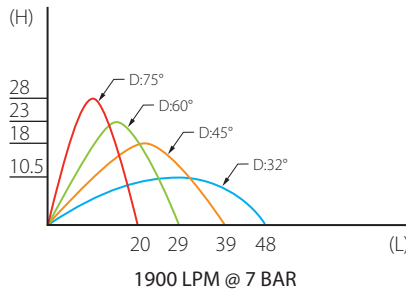
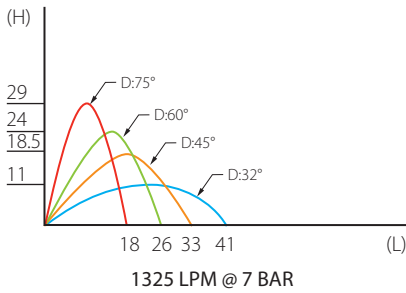
888 BC nozzle can be used with the following monitors:

MM1, HM80, OM80, GMB48

888 BC Nozzle

Angus Hi-Combat Style 888 BC Self Inducing Monitor Nozzle

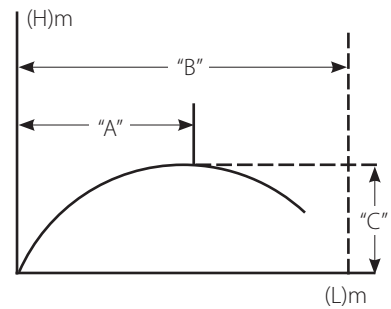
Discharge Height vs Discharge Reach Graphs (m) - Foam



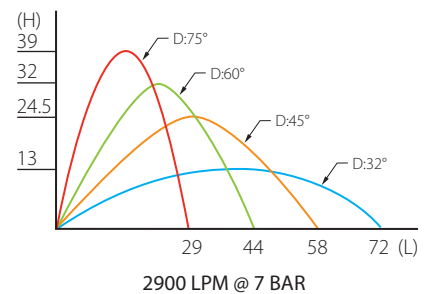
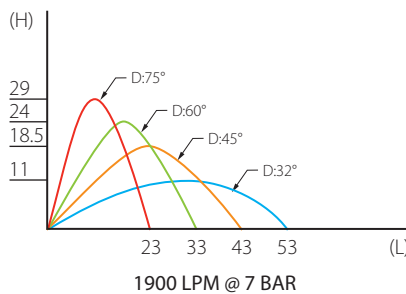
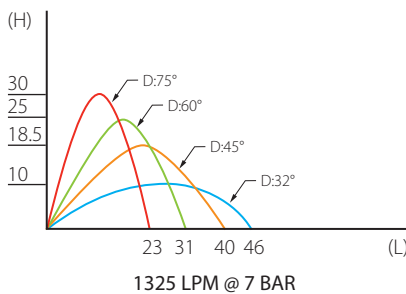
Pressure vs Throw - Water Discharge

Flow (lpm)	Pattern	Pressure (bar)	Horizontal Reach "A" (m)	Overall "B" (m)	Vertical "C" (m)
1325 (350 USGPM)	Straight Stream	7	28.5	46	10
	Narrow Fog 30°		11	16.5	
	Wide Fog 60°		8	13.5	
1900 (500 USGPM)	Straight Stream	7	33	53	11
	Narrow Fog 30°		18	27.5	
	Wide Fog 60°		13.5	22	
2900 (750 USGPM)	Straight Stream	7	46	72	13
	Narrow Fog 30°		31	46.5	
	Wide Fog 60°		17	27.5	

Stream Reach



Discharge Height vs Discharge Reach Graphs (m) - Water



NB: All performance data provided is theoretical only