

Rimseal Foam Pourer RFP80F

For the protection of vertical Open Top Floating Roof (OTFR) storage tanks

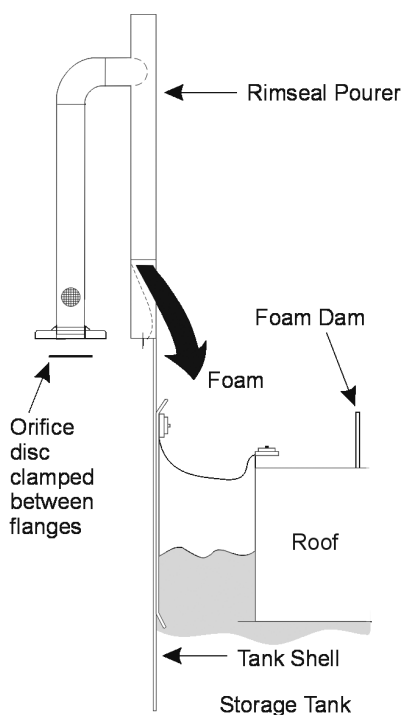
- Cost-effective
- Low-profile unit



Angus Rimseal Foam Pourer RFP80F is a flanged unit, used for the protection of vertical Open Top Floating Roof (OTFR) storage tanks and comprises two main elements - the Rimseal Foam Pourer and the Orifice Disc.

The RFP80F produces expanded foam when supplied with foam solution and delivers the foam gently into the rimseal area.

The orifice disc calibrates the unit with flow rates from 170 litres/minute at 3 bar to 690 litres/minute at 10 bar g.

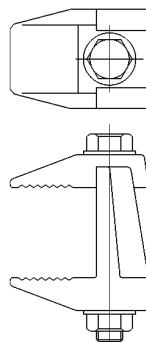


Each unit is factory-calibrated to deliver a specified flow at a given pressure.

The RFP80F is a low-profile unit which protects the foam from high winds and guides it gently on to the tank wall.

The front shield allows fully developed foam to emerge in a cohesive blanket that flows intact onto the inside wall of the tank. The stainless steel mesh at the foam exit helps to prevent blockage from insects and nesting birds.

For new tanks, this model can make the most cost-effective use of foam concentrate and water resources by producing the designed foam solution application rate.

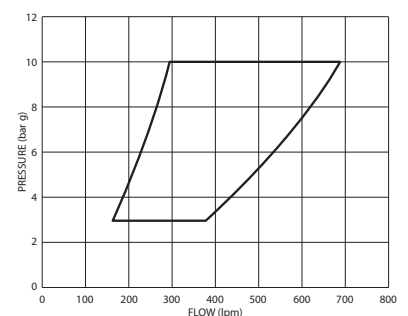


Fitting Kit (consisting of two clamps)
Part No. AES25180

For retrofit onto existing tanks during refurbishment, the Angus RFP80F can replace existing units without the need for expensive modification. Accurate factory-calibration ensures full compatibility with existing foam concentrate induction systems, and a 3" ANSI 150 flanged inlet connection.

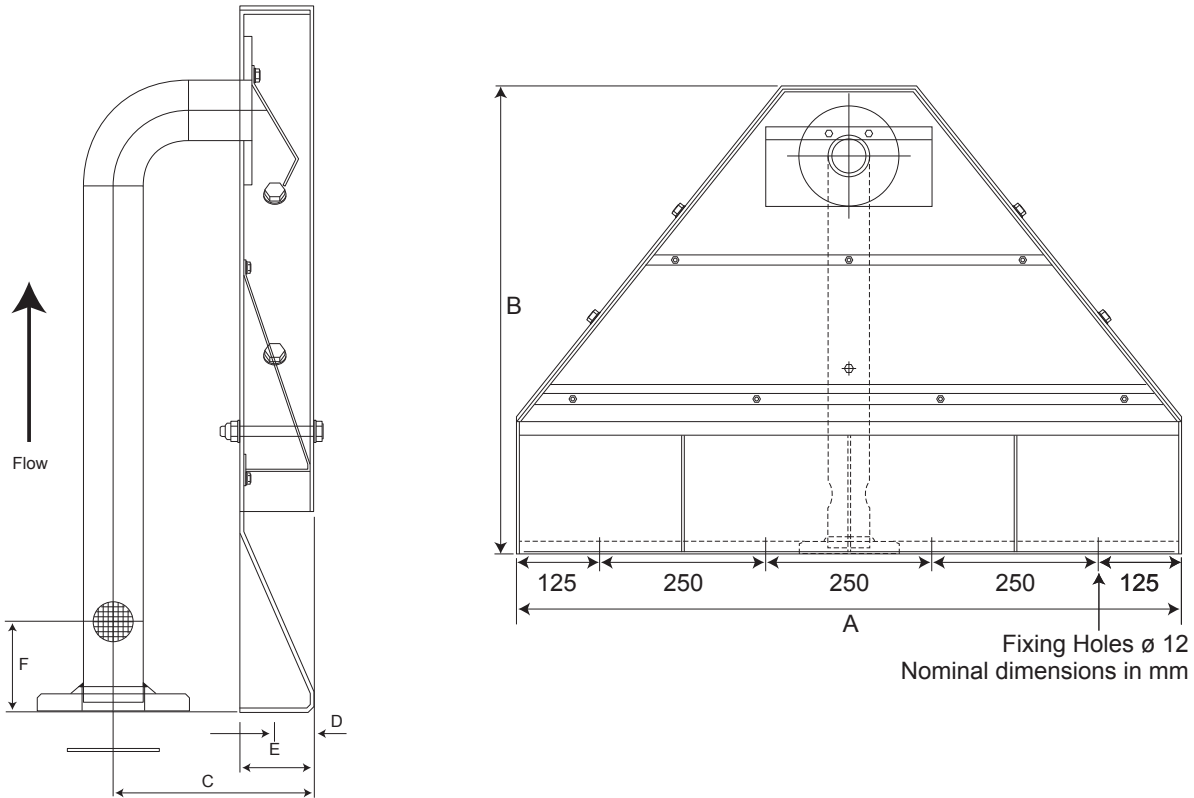
To further simplify installation, a fitting kit consisting of two clamps is now supplied as an optional extra which facilitates installation to the tank whilst still in use and without the need for hot work.

Angus Rimseal Foam Equipment is suitable for use with Angus low expansion foam concentrates. For hydrocarbon fuels Angus FP70, Tankmaster or Petroseal should be used; but for polar solvent risks Angus Niagara or Alcoséal should be used.



Rimseal Foam Pourer RFP80F

For the protection of vertical Open Top Floating Roof (OTFR) storage tanks



SPECIFICATION DATA

Dimensions	A (mm)	1000
	B (mm)	700
	C (mm)	240
	D (mm)	40
	E (mm)	75
	F (mm)	90
Inlet Connection		3" ANSI 150 RF
Materials	Pourer Body	Carbon Steel, option of stainless steel SS316
	Internal Mesh	Stainless Steel
	Pipe	Steel tube
	Optional Clamps	Clamp: Malleable iron, natural finish Bolt: Steel, zinc plated
Finish		Yellow Thermoplastic Powder Coated
Approx Weight (kg)		41
To Install	Fixing Holes	4 x 12mm dia. holes
	Optional Clamps	Min. 2 clamps per pourer
Operating Pressure		3 bar to 10 bar

INTERNATIONAL SALES

Angus Fire Ltd

Angus House, Haddenham Business Park,
Pegasus Way, Haddenham, Aylesbury, HP17 8LB, UK
Tel: +44 (0)1844 293600 • Fax: +44 (0)1844 293664

UK SALES

Angus Fire Ltd

Station Road, Bentham, Lancaster, LA2 7NA, UK
Tel: +44 (0)1524 264000 • Fax: +44 (0)1524 264180

Angus Fire operates a continuous programme of product development. The right is therefore reserved to modify any specification without prior notice and Angus Fire should be contacted to ensure that the current issues of all technical data sheets are used.