

Mosquito

Mobile Ground Monitor

- Lightweight
- Low maintenance
- Compact
- Low pressure loss design
- Highly durable - corrosion resistant materials



The Mosquito MGM1 Mobile Ground Monitor has been specially designed to combine very light weight with excellent stability.

It is robust and effective and can very quickly be brought into use.

It is intended for use in the medium output range, typically up to 400 gpm. (1800 lpm.) anchor spikes must be used at all times to assist in resisting jet reaction forces.

Very little maintenance is required.

We strongly recommend the use of the purpose designed Angus Monitor Nozzles N.900 or N.1800. T

- Lightweight
- Low maintenance
- Compact
- Low pressure loss design
- Highly durable - corrosion resistant materials

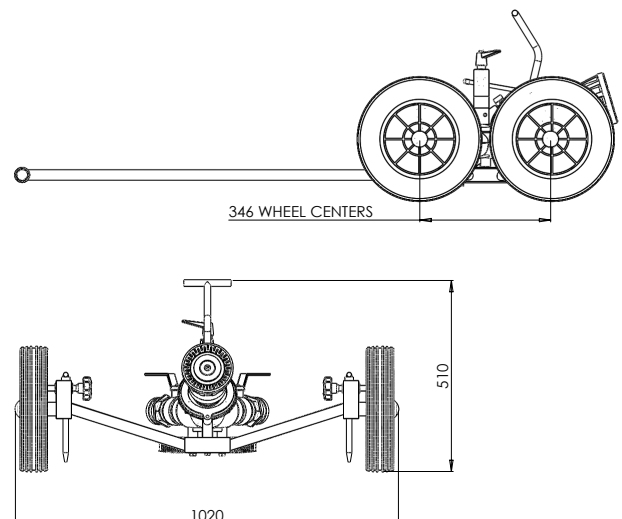
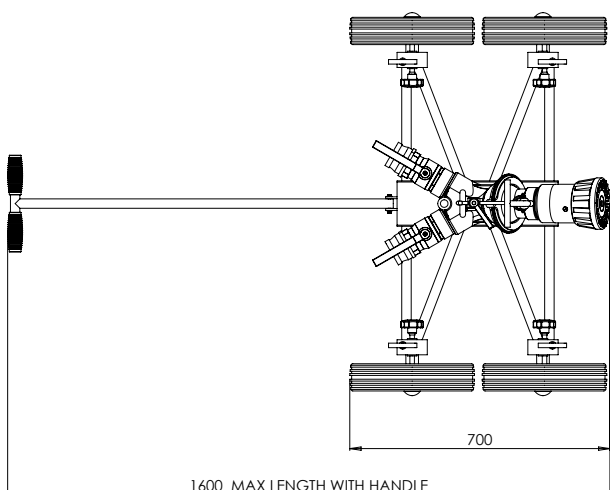
Specification

The monitor consists of a two way collecting head mounted on a mild steel chassis. The Monitor outlet is a ball and socket design which provides direct control over a wide area. The natural reaction force of the water is sufficient to maintain position and at the same time permit adjustment during operations.

The unit incorporates a swinging flap valve to permit use of a single hose if required.

Standard inlet connections are 2½" Instantaneous but alternative system hose connectors can be fitted. The

standard outlet connection is 2½" BSP male thread but this can also be adapted as desired to hose connectors to permit the use of various nozzles.



Mosquito MGM1

Mobile Ground Monitor

Typical Specification	
Chassis:	Mild steel – black thermoplastic paint
	Length: 1600mm (Including Handle)
	Width: 1020mm
	Height: 510mm
	Weight: 45kg (Including Monitor & Nozzle)
Wheels:	Four lockable rubber tyred wheels 330 mm diameter Nylon centred.
	Four ground spikes to securely anchor MGM when running.
Handle:	Stainless steel detachable T-handle, fitted with rubber hand grips.
Inlet:	2 x 2.5" Male instantaneous coupling with 2" ball valve
Outlet:	Portable Ground Monitor
	Elevation: 30° - 90°
	Transverse: +/- 30° from CL
	Lockable in horizontal / vertical position by a single knob.
	Material: Aluminium Alloy
Nozzle:	N900 or N1800 Nozzle
Main body:	Hard Anodised Aluminium Alloy
Mushroom:	Acetyl
Control Grip:	Polyurethane
Finish:	Thermoplastic paint
Colour:	Red & Black
Pressure Range:	4-7 Bar

SALES & MARKETING

Angus Fire Ltd

Angus House, Haddenham Business Park,
Pegasus Way, Haddenham, Aylesbury, HP17 8LB, UK
Tel: +44 (0)1844 293600 • Fax: +44 (0)1844 293664

MANUFACTURING PLANT

Angus Fire Ltd

Station Road, Bentham, Lancaster, LA2 7NA, UK
Tel: +44 (0)1524 264000 • Fax: +44 (0)1524 264180

Angus Fire operates a continuous programme of product development. The right is therefore reserved to modify any specification without prior notice and Angus Fire should be contacted to ensure that the current issues of all technical data sheets are used.

© Angus Fire
6860/2 01/18