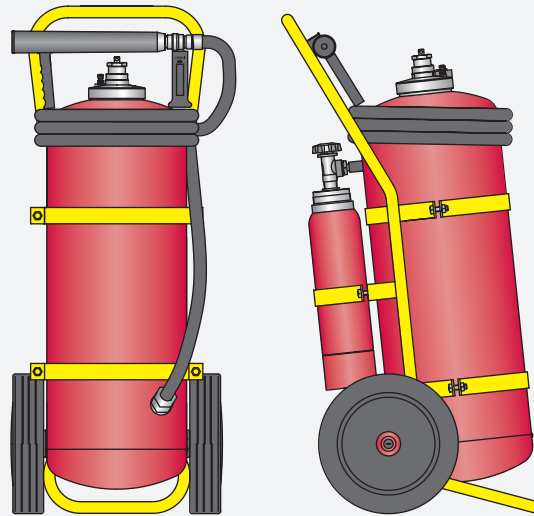


50 Kg Monnex™ Mobile Fire Extinguisher

- Robust
- For professional use in harsh environments



A high quality and robust mobile 50 Kg Monnex™ BC Powder extinguisher for professional use in harsh environments

Extinguishing medium

Monnex™ BC powder manufactured to EN615

Maximum particle size 0.35mm

Powder cylinder

360mm Ø x 3mm wall thickness

80 litre capacity

Steel to EN10111

Welded to EN 288 & 1418

Test pressure (hydraulic) 30 bar

PED approved **CE**

Propellant

Nitrogen N₂

Propellant cylinder

7.5 litre external

T PED certified

Chrome molybdenum carbon

EN1964-1

Brass Safety valve, handwheel operated

Painting

Epoxy-polyester powder

Resistant to ultraviolet

Cylinders Red to RAL 3000

Frame Red

Discharge hose

5m EPDM rubber flexible hose with

swivel coupling

Fine control discharge pistol

Filling cap

Material: Brass 100mm (4") full opening

Pressure gauge

Safety valve set to 24 ± 2 bar

Vent valve for pressure release

Frame

Welded steel "wrap around" frame







300mm Ø rubber rimmed wheels

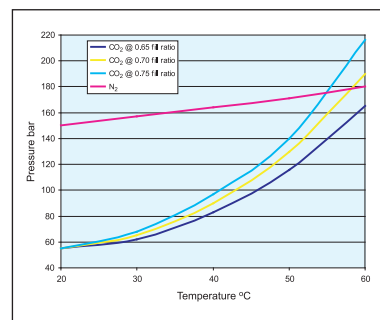
Labelling

English/Arabic or English only

Angus Fire use Nitrogen (N₂), an environmentally neutral gas, as a propellant for their powder and foam mobiles:

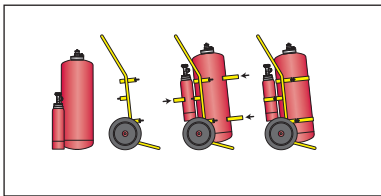
- Nitrogen pressures are lower than Carbon Dioxide at high temperatures.
- Carbon Dioxide (CO₂) cools rapidly when released and can freeze water based foams.
- Nitrogen has an ozone depletion count of zero.

	Inflammable liquids, gasoline, oil etc.
	Inflammable gases, methane, propane.
	Temperature range: -30°C to +60°C Operating pressure: 14 bar @ 20°C nominal
	Jet length: ~ 12m Discharge time: ~ 43 seconds
	Filled weight: 95 Kg Packed volume: 0.34 cum
	Width: 440mm Depth: 550mm Height: 1050mm

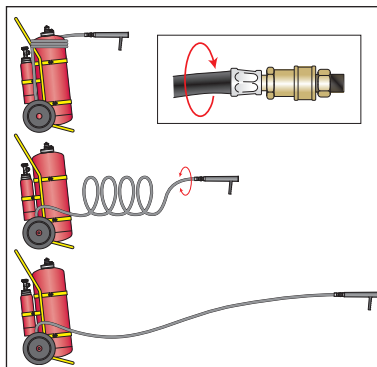


50 Kg Monnex™ Mobile Fire Extinguisher

Corrosion often occurs where the support frame is welded to the cylinder causing it to be unsafe. Angus Fire mobiles use a wrap around frame to support the cylinder. During maintenance the frame can be removed for servicing or repair.



A swivel is fitted as standard on all Angus Fire mobiles between the discharge hose and the nozzle. When the coiled hose is unwound the hose can un-twist leaving the nozzle free to direct the jet.



Options:

- Dust cover
- Extra length discharge hose 7.5m or 10m
- Rigid 2m helicopter lance
- Marine paint finish (minimum quantities)
- CO₂ propellant in place of N₂
- Aluminium foil bursting disc

The full range of Angus mobile extinguishers includes:

- 50 l; 100 l; 150 l AFFF Foam
- 50 kg; 75 kg; 100 kg ABC powder
- 35 kg; 50 kg; 70 kg Monnex™ powder
- 10 kg; 20 kg; 30 kg; 50 kg CO₂

UK SALES

Angus Fire Ltd

Station Road, Bentham, Lancaster, LA2 7NA, UK
Tel: +44 (0)1524 264000 • Fax: +44 (0)1524 264180