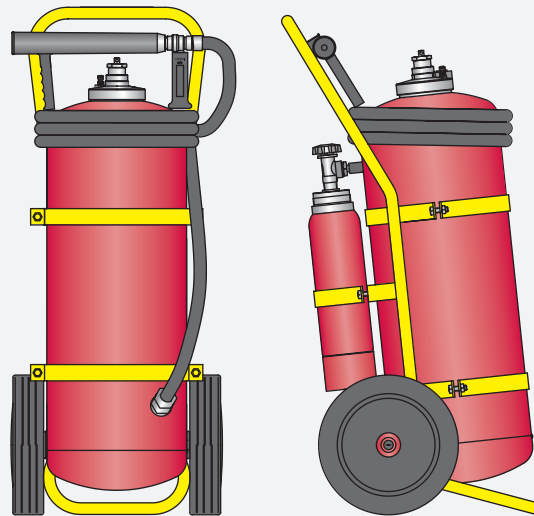


75 Kg ABC Powder Mobile Fire Extinguisher

- Robust
- For professional use in harsh environments



A high quality and robust mobile 75 Kg ABC Powder extinguisher for professional use in harsh environments

Extinguishing medium

ABC powder to EN615 (MAP30)
Ammonium phosphate and ammonium sulphate with silicone flow additives

Powder cylinder

360mm Ø x 3mm wall thickness
80 litre capacity
Steel to DD12
Welded to EN 288 & 1418
Test pressure (hydraulic) 30 bar
PED approved **CE**

Propellant

Nitrogen N₂

Propellant cylinder

3 litre external
T PED certified
Chrome molybdenum carbon
EN1964-1
Brass safety valve, handwheel operated

Painting

Epoxy-polyester powder
Resistant to ultraviolet
Cylinders Red to RAL 3000
Frame Red

Discharge hose

5m EPDM rubber flexible hose with swivel coupling
Fine control discharge pistol

Filling cap

Material: Brass 100mm (4") full opening
Ø 95mm
Pressure gauge
Safety valve set to 24 ± 2 bar
Vent valve for pressure release

Frame




Welded steel "wrap around" frame
300mm Ø rubber rimmed wheels


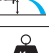


Labelling

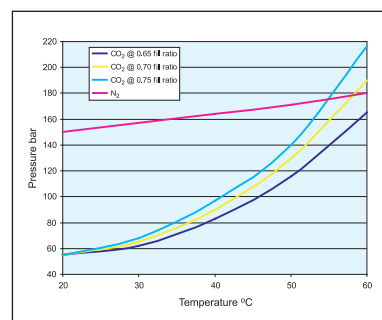
English/Arabic or English only

Angus Fire use Nitrogen (N₂), an environmentally neutral gas, as a propellant for their powder and foam mobiles:

- Nitrogen pressures are lower than Carbon Dioxide at high temperatures.
- Carbon Dioxide (CO₂) cools rapidly when released and can freeze water based foams.
- Nitrogen has an ozone depletion count of zero.

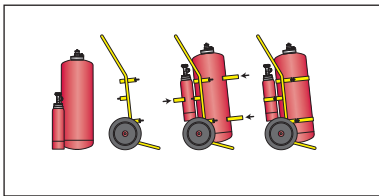
| | |
|---|---|
|  | Organic solid materials, wood rubber, textiles etc. |
|  | Inflammable liquids, gasoline, oil etc. |
|  | Inflammable gases, methane, propane. |

| | |
|---|--|
|  | Temperature range: -30°C to +60°C Operating pressure: 13.5 bar @ 20°C nominal |
|  | Jet length: ~ 11m Discharge time: ~ 91 seconds |
|  | Filled weight: 120 Kg Packed volume: 0.36 cum |
|  | Width: 540mm Depth: 700mm Height: 1295mm |

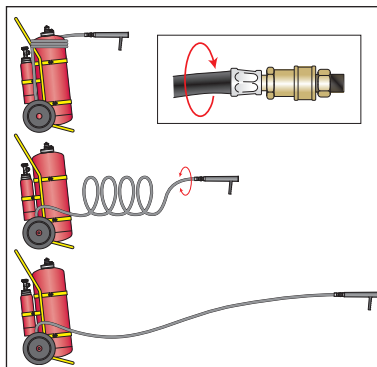


75 Kg ABC Powder Mobile Fire Extinguisher

Corrosion often occurs where the support frame is welded to the cylinder causing it to be unsafe. Angus Fire mobiles use a wrap around frame to support the cylinder. During maintenance the frame can be removed for servicing or repair.



A swivel is fitted as standard on all Angus Fire mobiles between the discharge hose and the nozzle. When the coiled hose is unwound the hose can un-twist leaving the nozzle free to direct the jet.



Options:

- Dust cover
- Extra length discharge hose 7.5m or 10m
- Rigid 2m helicopter lance
- Marine paint finish (minimum quantities)
- CO₂ propellant in place of N₂
- Aluminium foil bursting disc

The full range of Angus mobile extinguishers includes:

- 50 l; 100 l AFFF Foam
- 50 kg; 75 kg; 100 kg ABC powder
- 35 kg; 50 kg; 70 kg Monnex™ powder
- 10 kg; 20 kg; 30 kg; 50 kg CO₂

UK SALES

Angus Fire Ltd

Station Road, Bentham, Lancaster, LA2 7NA, UK
Tel: +44 (0)1524 264000 • Fax: +44 (0)1524 264180