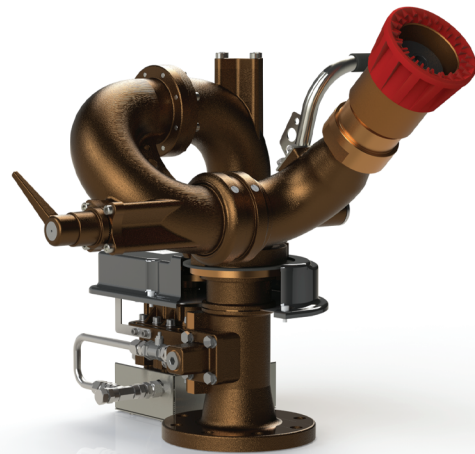


# Angus OM-80

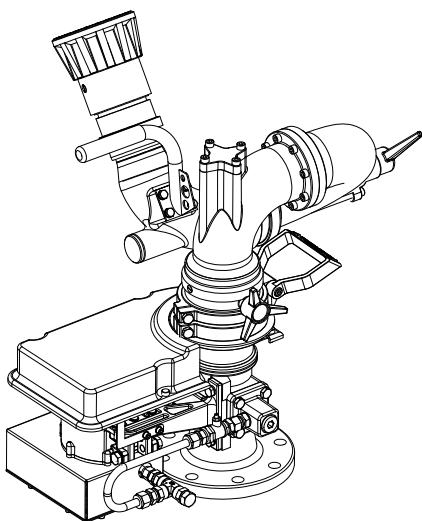
## Oscillating Monitor

- Exceptional operational reliability
- Long life
- Low maintenance
- Compact and low profile



The Angus OM-80 is a nominal 80mm waterway Oscillating Monitor, designed to provide optimised hydraulic efficiency and long throw performance when the Angus Long Throw (LTN) nozzles or (LTC) cannons are fitted. The compact low profile configuration, makes this monitor particularly suitable for installation on towers, aircraft hangars, offshore platforms for helideck protection and other areas where space is limited.

The OM-80 is engineered to the highest standards to withstand severe environmental conditions and provide exceptional operational reliability, long life and low maintenance.



A sealed for life gearbox is provided with adjustable sweep angle between 45° and 120° in 15° intervals and an oscillating speed control. Low friction joints ensure easy movement even at high operating pressures. A highly efficient pelton wheel water motor uses small quantities of fire main water to provide power for automatic oscillation.

The OM-80 will therefore operate automatically, immediately after start up of the fire pump and requires no secondary (electric) power source. A quick release lever allows automatic oscillation to be overridden and reengaged easily during operation.

When fitted with the Angus long throw range (LTN) of constant flow jet/spray nozzles the OM-80 is highly effective with water or un aspirated application of film forming foams for fast flame attack on hydrocarbon liquids on helidecks, aircraft hangars, process areas, tanker loading bays or bunded (diked) areas surrounding bulk storage tanks. Long throw foam cannons (LTC) can also be fitted which guarantee optimised foam quality and throw characteristics with the Angus range of foam concentrates. Maximum performance and throws of up to 68 metres can be achieved depending on nozzle/cannon configuration (see separate nozzle/cannon data sheets).

Angus low friction joints provide easy elevation and horizontal movement even under high operating pressures. The quick and easy Clamp-Lok™ mechanism ensures the monitor is safely locked in position and can be left to operate unattended.

Optional test kit is available.

The test kit requires a separate temporary water test line to test the pelton wheel.

Angus Fire operates a quality management system which complies with the requirements of BS EN ISO 9001 and ISO 14001.



# Angus OM-80

## Oscillating Monitor

Specification	
Operating pressure	Max: 16 bar g Min: 5 bar g
Test pressure	24 bar g
Maximum flow	4,500 litres/min
Inlet flange connections	4" ANSI Class 150 RF (alternatives to special order)
Outlet connections	2", 2½ BSP Male or flanged to LTC cannons (alternatives to special order)
Sweep angle	Automatic: 45° to 120° in 15° intervals Manual: 360° continuous
Nominal elevation*	Max +75° above horizontal (+85° in upright mode)
Nominal depression*	Max -70° below horizontal. Limited to -5° over gearbox in low profile mode.
Nominal oscillating frequency	8 cycles/min @ 7 bar g
Nominal flow rate through water motor	40 litres/min @ 7 bar g
Approx. weight (without nozzle/cannon)	77 kg

\* Low profile to upright mode adjustable on site (see O&M manual)

Materials	
Monitor body	Aluminium Bronze AB2 and Gunmetal LG2 to BS EN 1982
Gearbox	C83600 Brass ASTM B62
Seals	Nitrile synthetic rubber
Finish	Monitor Natural (Red to special order) Gearbox cover Phenolic Heat resistant laminate
Grab handle	Stainless steel 316
Fasteners	Stainless steel A2
Optional Test kits	Wet test kit (25mm Storz): AES35827

Approvals	
Lloyds Register Rules*	(SOLAS)
Marine & Coastguard Agency*	(MCA)

\*OM-80 fitted with LTN900, LTN1800 or LTN2700

### GENERAL SALES

#### Angus Fire Ltd

Station Road, Bentham, Lancaster, LA2 7NA, UK  
Tel: +44 (0)1524 264000 • Fax: +44 (0)1524 264180

Angus Fire operates a continuous programme of product development. The right is therefore reserved to modify any specification without prior notice and Angus Fire should be contacted to ensure that the current issues of all technical data sheets are used.