

K20H Foam/Water Sprinkler

Tank Protection Foam Water Nozzle

- Designed for use as part of an engineered fire protection system
- Excellent corrosion resistance
- Compact and robust



The Angus Fire K20H tank protection foam water nozzle is an open, air aspirating discharge head designed for use as part of an engineered fire protection system.

The K20H open foam/water spray nozzle has been specially designed for providing foam/water protection for spray rings on bulk storage tanks. The K20H sprinkler is mounted in a horizontal position typically around 250mm away from the tank wall and 700 - 900mm below the top of the tank shell.

Installing the K20H offers maximum versatility from new or existing spray rings. When provided solely with water, the K20H provides interlocking discharge patterns to deliver uniform coverage over the tank surface making it ideally suited for cooling adjacent tanks to the one involved in an incident.

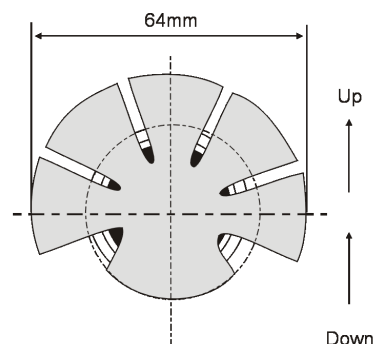
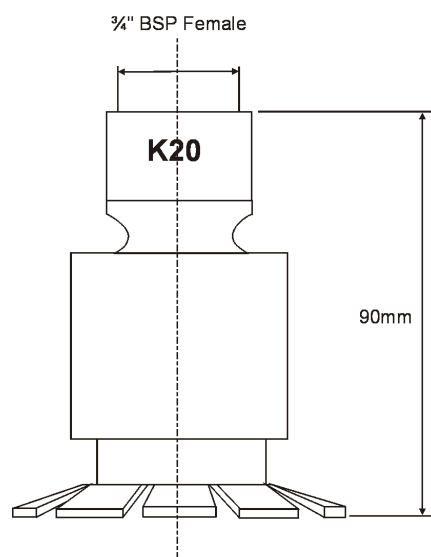
By introducing a suitable foam concentrate into the water supply of the K20H spray rings on the tank(s) involved in the incident, a measure of fire protection for the banded area around the base of these tanks can be quickly provided at the same time as tank shell cooling. A useful complement could be the Angus Medium Expansion MEX Bund Pourers located around the edge of the banded/diked area.

Application rates can be adjusted to suit each particular situation by changing the head spacings.

This K20H foam/water sprinkler is compact, robust, and constructed entirely from 316 stainless steel, providing excellent corrosion resistance, making it particularly well suited to coastal locations.

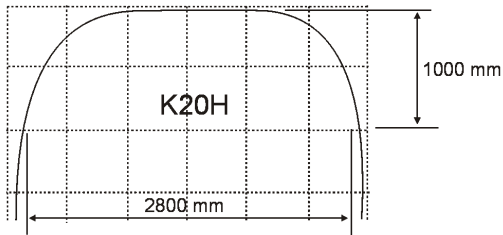
The K20H is designed to produce finished foam with an expansion ratio in the range 4:1 to 7:1 over a 3-7 bar. (45 - 100 psi) operating range.

Flow (litres/min) = $K\sqrt{P}$ where P is inlet pressure (bar)



K20H Foam/Water Sprinkler

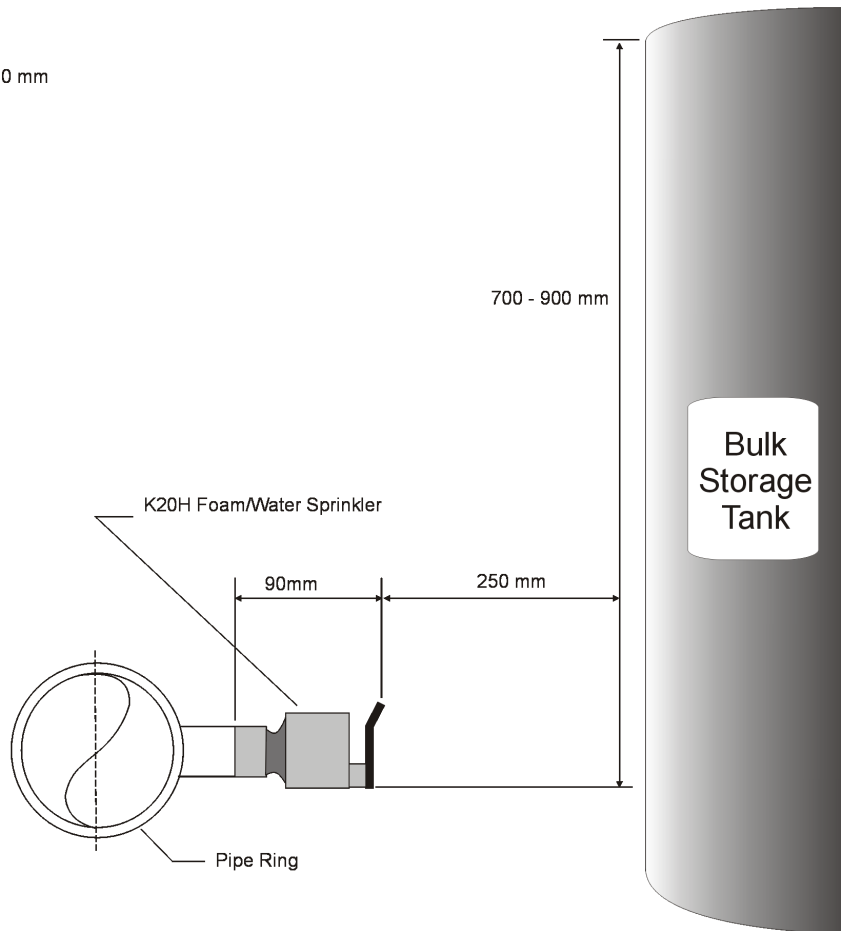
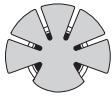
Tank Protection Foam Water Nozzle



Typical K20H pattern at 4 bar when mounted 250mm away from tank shell.

Angus Fire foam/water stainless steel open spray mounting orientation

K20 horizontal tank protection nozzle



INTERNATIONAL SALES

Angus Fire Ltd

Angus House, Haddenham Business Park,
Pegasus Way, Haddenham, Aylesbury, HP17 8LB, UK
Tel: +44 (0)1844 293600 • Fax: +44 (0)1844 293664

UK SALES

Angus Fire Ltd

Station Road, Bentham, Lancaster, LA2 7NA, UK
Tel: +44 (0)1524 264000 • Fax: +44 (0)1524 264180

Angus Fire operates a continuous programme of product development. The right is therefore reserved to modify any specification without prior notice and Angus Fire should be contacted to ensure that the current issues of all technical data sheets are used.

© Angus Fire
5142/5 07.16